

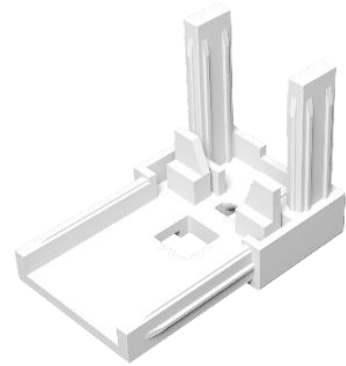
## Broken Corner Bracket Replacement

### Overview

Should one of the corners that connect the top and bottom rails to the vertical frames get broken during installation these instructions will show how to replace the broken corner.

### What you will need:

- Standard ¼" Flat Head Screwdriver
- Pin Punch or Equivalent
- Hard Rubber Hammer
- Needle Nose Plier
- Tension Block Allen Wrench (Came with original assembly kit)
- Replacement Corner Bracket(s)



Refer to Parts ID Drawing on the last page of these instructions to decide if you are replacing the end frame corner or the latch frame corner and then proceed with the appropriate instructions that follow.

### End Frame Corner Instructions

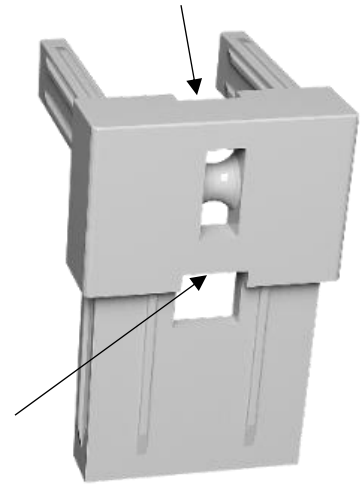
Double Doors and Windows will only have End Frame Corners

#### **Step 1: Clear Broken Corner Parts**

Instead of trying to remove the broken pieces, use a pin punch or equivalent and hammer push remaining part of corner into rail or end frame. Push broken piece in just far enough to start new corner.

## Step 2: Remove Remaining Corner Bracket from other Rail

Using 1/4" flat blade screw driver inserted into the slot in the corner of the bracket where it meets the end frame or rail, pry remaining broken corner from the end frame or rail. **If you try to remove the remaining bracket by hand you may break that side off as well.**



## Step 3: Install New Corner Bracket

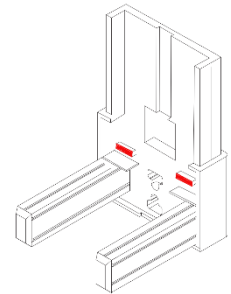
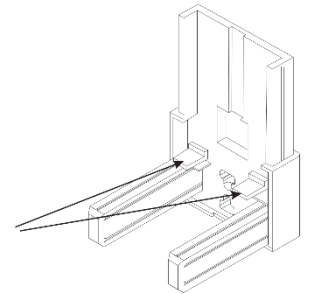
Using hard rubber hammer install new corner into rail or end frame pushing broken part in as corner is installed.

## Latch Frame Corner Instructions

Only for Single Doors and Windows

### Step 1: Remove the Stops on Bracket

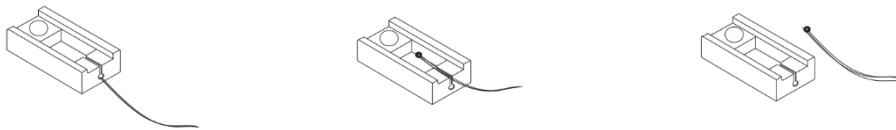
The universal corner can be used for both the end frame and latch frame corners. When used for the latch frame corners it is necessary to remove the stops to allow screen to fully close. Using pliers snap the stops off as close to the body of the corner as possible.



**Stops Removed**

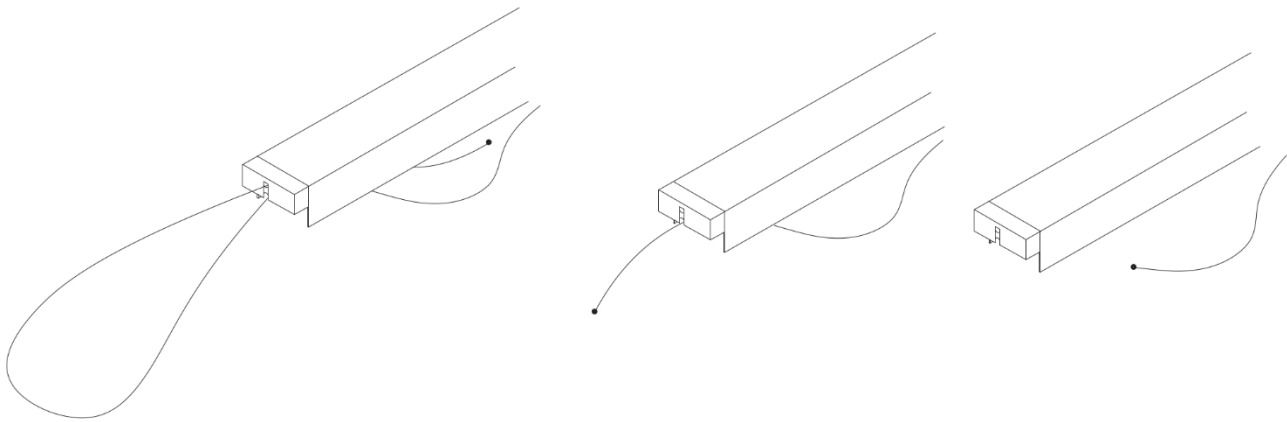
### Step 2: Disconnect Tension Lines

Loosen set screw in tension block with Allen Wrench and slide tension block to create slack in tension lines. Slip knot at the end of tension lines thru slot in tension block as shown below:



### Step 3: Pull Tension Lines Thru Corner Bracket

Pull tension lines thru corner noting that lines run thru second hole from the end and then back thru the first hole from the end.

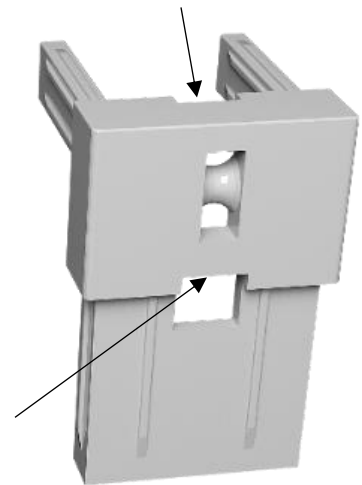


### Step 4: Clear Broken Corner Parts

Instead of trying to remove the broken pieces, use a pin punch or equivalent and hammer push remaining part of corner into rail or end frame. Push broken piece in just far enough to start new corner.

### Step 5: Remove Remaining Corner Bracket from other Rail

Using 1/4" flat blade screw driver inserted into the slot in the corner of the bracket where it meets the end frame or rail, pry remaining broken corner from the end frame or rail. **If you try to remove the remaining bracket by hand you may break that side off as well.**

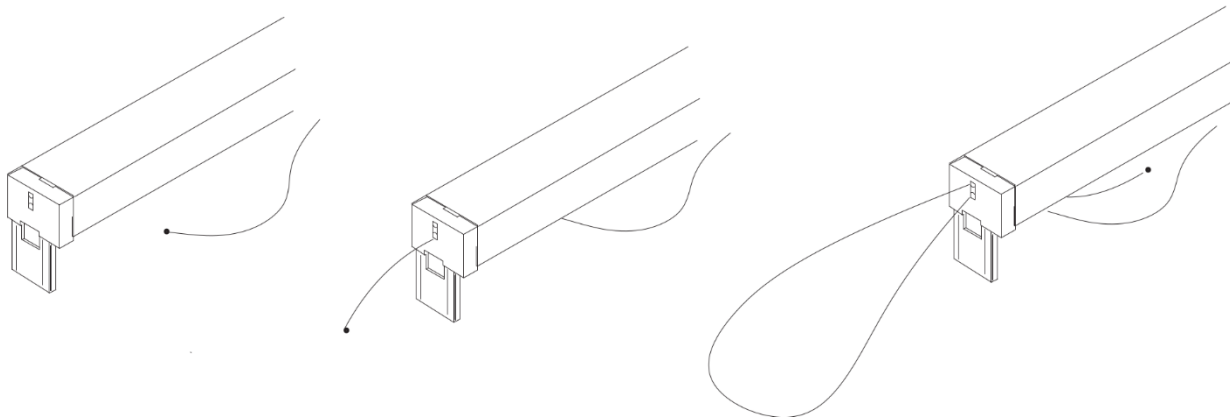


### Step 6: Install New Corner Bracket

Using hard rubber hammer install new corner into rail or end frame pushing broken part in as corner is installed.

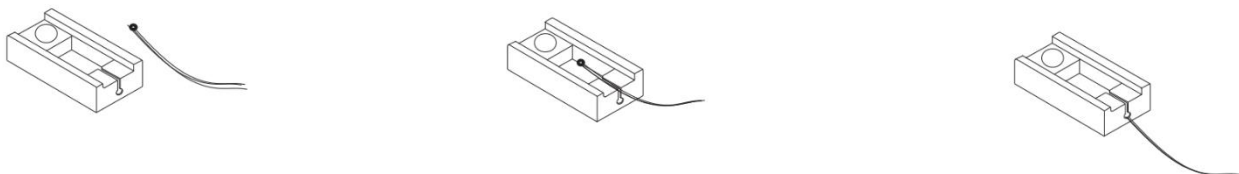
## Step 7: Route Tension Lines Through Corner Bracket

Route tension lines back thru corner so that lines run thru second hole from the end and then back thru the first hole from the end.



## Step 8: Reconnect Tension Lines

Slip knot at the end of tension lines thru slot in tension block as shown. Loosen set screw and slide block back to previous position. Tighten Set Screw again making sure not to overtighten.



# Part Identification Diagram

