

Measuring Worksheet

Plissé Single Door

Follow these simple steps to gather all of the information you need to order your new Plissé retractable screen door. Print one worksheet for each screen you'll be ordering.

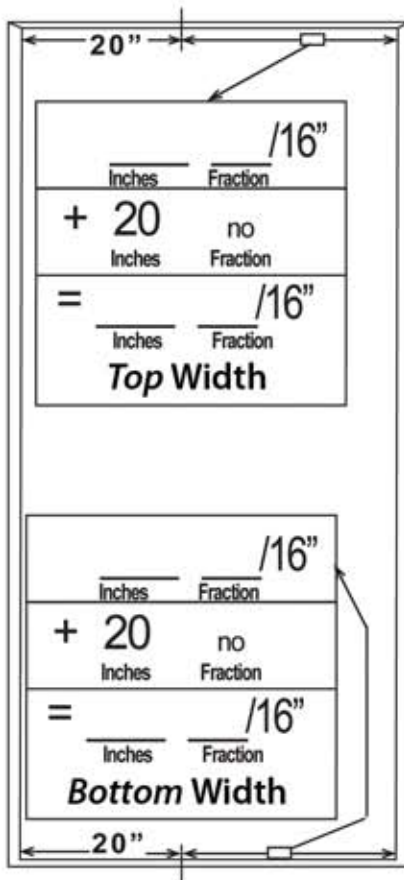
Screen Location Name (e.g. Patio Door): _____

Step 1: Measure *Top Width*

Make a mark at the top, 20" from the left side.

Measure from the right side to your mark and record it in the box below.

Add the 20" to your recorded measurement and record the sum. This is your top width measurement.



Step 2: Measure *Bottom Width*

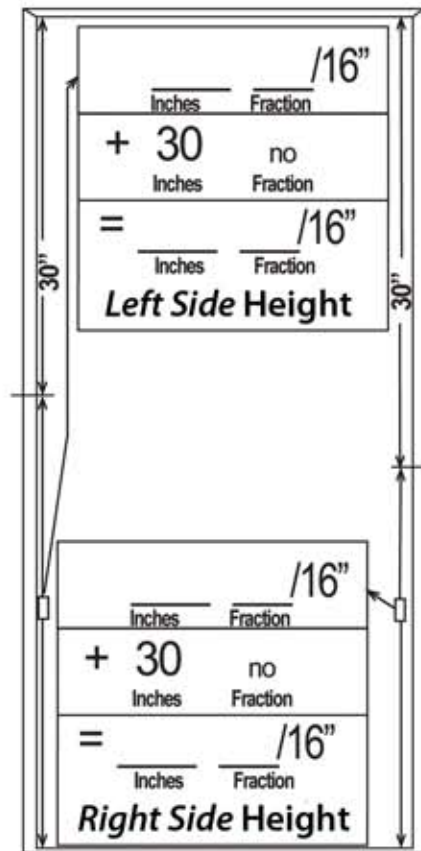
Repeat Step 1 procedure at the bottom of the door.

Step 3: Measure *Left Side Height*

Make a mark on the left, 30" from the top.

Measure from the bottom to your mark and record it in the box.

Add the 30" to your recorded measurement and record the sum. This is your left side height.



Step 4: Measure *Right Side Height*

Repeat Step 3 procedure on the right side.

Don't forget to decide on a frame color for the screen and bottom rail. Also, do you need a threshold adapter? If so, you'll want your bottom rail to match. Whether you do or not, you'll want your bottom to match your existing threshold if possible.

Plissé Signature Frame Colors: White, Creme, Sand, Tan, Bronze & Silver / Special Order Colors: Green, Black, Brown & Grey
Threshold Adapters Available in Bronze, Silver & Solid Oak (+\$)